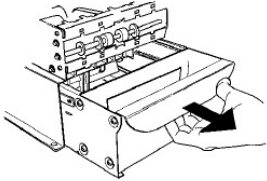
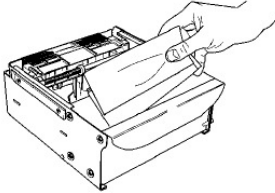
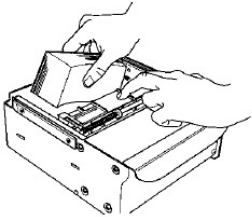
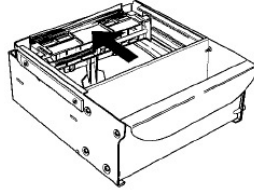
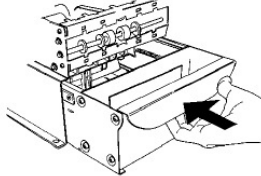


## REPLENISH MINIMECH CASSETTE



STEP	ACTION
1	<p>UNLOCK/OPEN DISPENSER SECURITY DOOR. GRASP TRAY HANDLE AND REMOVE NOTE CASSETTE</p> 
2	<p>REMOVE ANY REJECTED NOTES FROM THE REJECT COMPARTMENT. <b>DO NOT</b> RECYCLE REJECTED NOTES!</p> 
3	<p>MOVE THE PUSHER PLATE TO THE REAR OF THE TRAY (TOWARDS THE HANDLE).</p> 
4	<p>COUNT THE NUMBER OF BILLS THAT REMAIN IN THE CASSETTE, IF ANY.</p> <p>COUNT THE NUMBER OF BILLS THAT ARE BEING ADDED TO THE REMAINING NOTES.</p> <p>THE <b>TOTAL</b> OF THESE AMOUNTS WILL BE ENTERED IN THE "ENTER CASSETTE QUANTITY" PROMPT FOR CASSETTE CLOSE PROCEDURE.</p>

STEP	ACTION
5	<p>PLACE CURRENCY IN THE CASSETTE. SLOWLY PUSH PACKER FORWARDS AGAINST THE NOTES.</p> 
6	<p>GRASP THE HANDLE AND SLIDE THE NOTE CASSETTE FULLY INTO THE DISPENSER.</p> 

For more information or assistance, please call **cashline** 1-888-870-9780